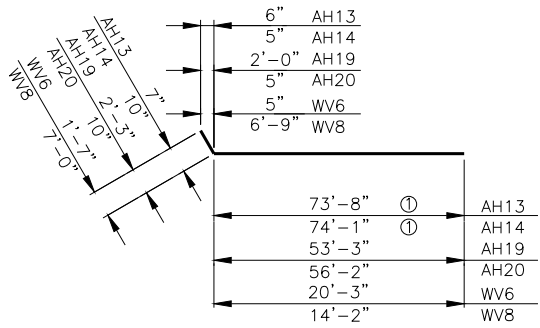
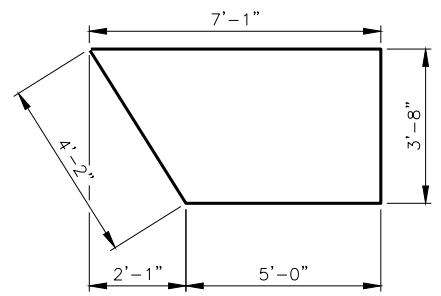


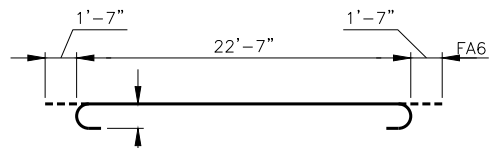
DESCRIPTION	REVISIONS	DATE



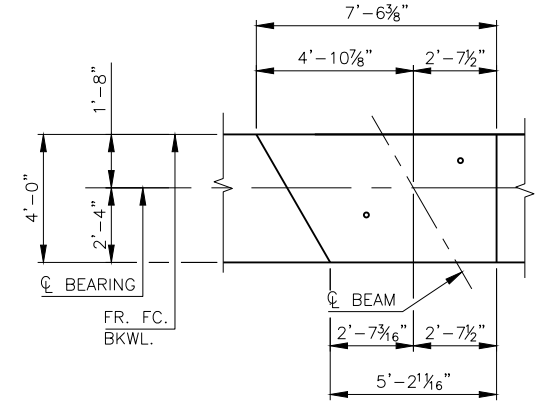
AH13 #5 X 74'-3"
 AH14 #5 X 72'-2"
 AH19 #4 X 55'-6"
 AH20 #5 X 57'-0"
 WV6 #9 X 21'-10"
 WV8 #9 X 21'-2"
 ① INCLUDES 3'-0" LAP.



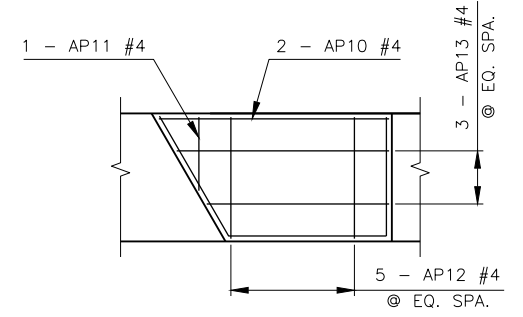
AP10 #4 X 19'-11"



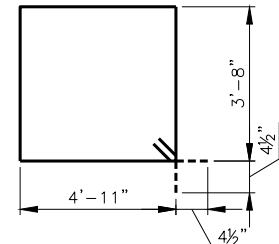
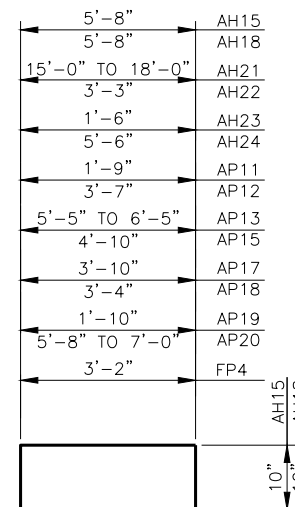
FA6 #11 X 25'-9"



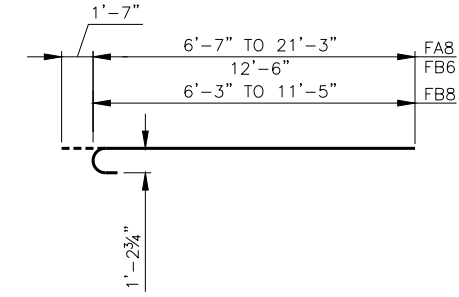
PEDESTAL PLAN
(PEDESTAL NO. 1)



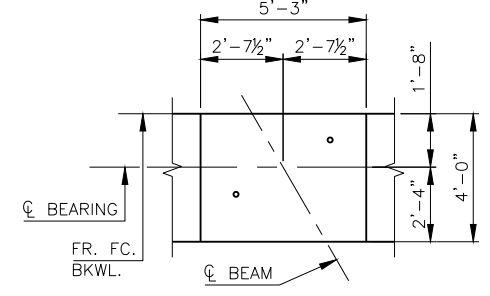
PEDESTAL REINFORCING PLAN
(PEDESTAL NO. 1)



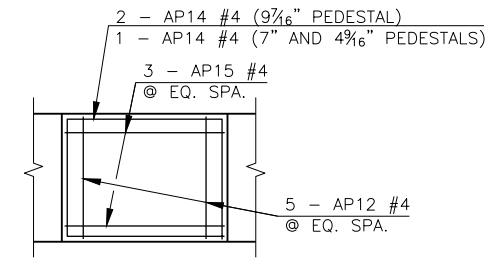
AP14 #4 X 17'-11"



FA8 #11 X 15'-6" AVG.
 FB6 #11 X 14'-1"
 FB8 #11 X 10'-5" AVG.

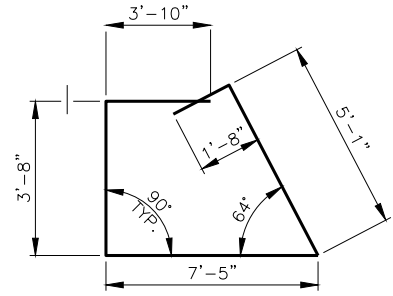


PEDESTAL PLAN
(PEDESTAL NO. 2-4)

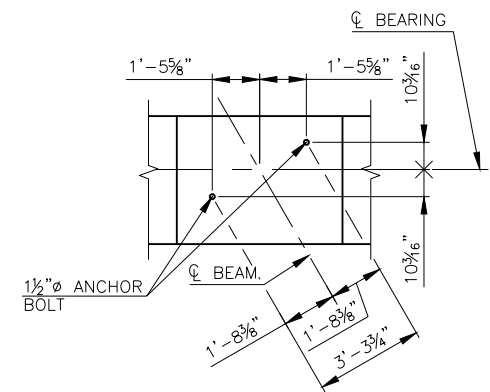


PEDESTAL REINFORCING PLAN
(PEDESTAL NO. 2-4)

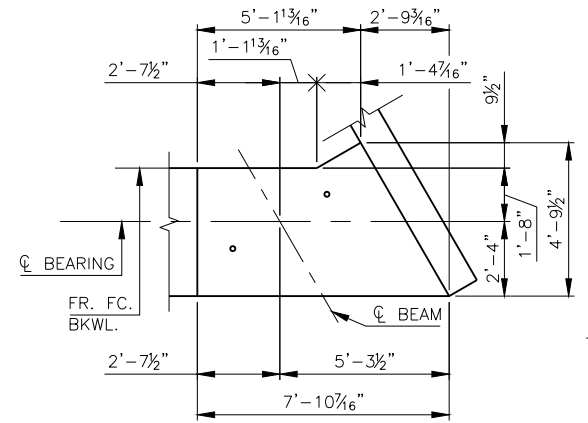
AH15 #5 X 7'-4"
 AH18 #5 X 7'-4"
 AH21 #5 X 18'-2" AVG.
 AH22 #5 X 4'-11"
 AH23 #5 X 3'-2"
 AH24 #5 X 7'-2"
 AP11 #4 X 5'-9"
 AP12 #4 X 7'-7"
 AP13 #4 X 9'-11" AVG.
 AP15 #4 X 8'-10"
 AP17 #4 X 7'-10"
 AP18 #4 X 7'-4"
 AP19 #4 X 5'-10"
 AP20 #4 X 10'-4" AVG.
 FP4 #4 X 4'-6"



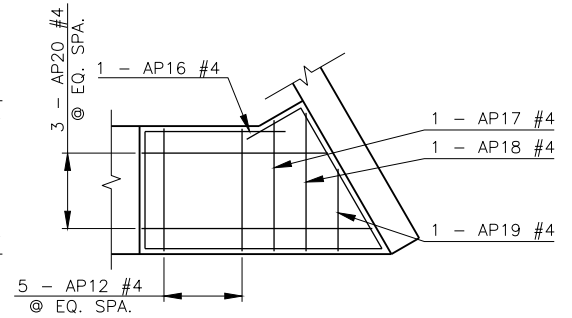
AP16 #4 X 21'-8"



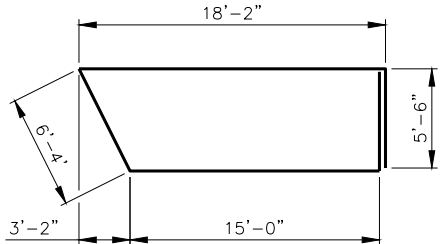
ANCHOR BOLT LAYOUT



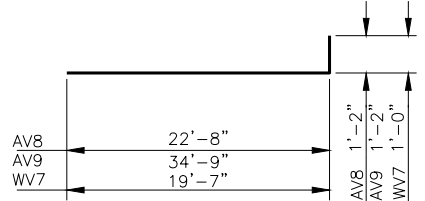
PEDESTAL PLAN
(PEDESTAL NO. 5)



PEDESTAL REINFORCING PLAN
(PEDESTAL NO. 5)



AH17 #5 X 50'-6"



AV8 #7 X 23'-10"
 AV9 #7 X 35'-11"
 WV7 #6 X 20'-7"

DESIGN	T.A.C.	OKLAHOMA CITY BLVD.	OKLAHOMA COUNTY
DRAWN	R.A.P.	OVER CLASSEN BLVD.	BRIDGE A
CHECKED	T.A.C.	ABUTMENT NO. 2 - PEDESTALS AND BAR BEND	
APPROV.	T.A.C.		
SQUAD	CEC		
		JOB PIECE NO. 17428(88)	SHEET NO. 92